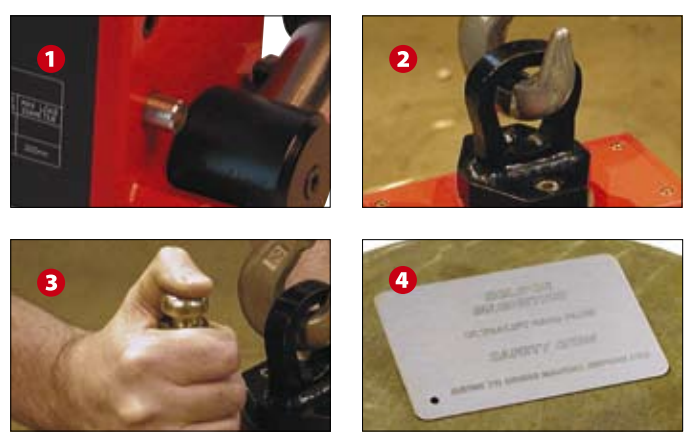


**NEW**



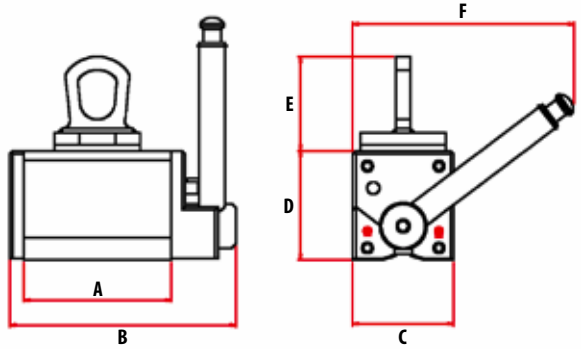
# THE SAFEST LIFT IN THE WORLD



## Ultralift<sup>plus</sup>

- FASTEST AND SAFEST OPTION FOR LIFTING\***
- Lower the magnet onto the plate
  - Turn the handle
  - Lift in safety

\*on pre-tested or known loads



- 1 Safety Catch**  
The safety catch locks the handle in the 'on' position, providing a robust and positive lock to the lifter mechanism.
- 2 Lifting Eye**  
Complements the safety catch. Once the lifting eye is in tension with the load, the mechanism locks the handle ensuring the magnet cannot be released by accident. (Patent No. GB2399456)
- 3 Hand Brake Release**  
The magnet can be released simply, using one hand.
- 4 Safety Shim**  
The Eclipse Magnetics Ultralift Plus is the only permanent magnet lifter to come complete with a 'safety shim' (internationally patented). Allows pre-testing of the load to be lifted irrespective of weight, material type, material thickness and surface condition.  
If the load passes a **3:1 safety factor is guaranteed**

Model No.	Weight (kg)	Dimensions (mm)						Flat Section		Round Section		
		A	B	C	D	E	F	SWL (kg)	Thickness (mm)	Length Max (mm)	SWL (kg)	Diameter Max (mm)
UL0125+	4	101	155	69	74	64	152	125	20	1500	50	200
UL0250+	11	155	214	92	96	94	218	250	25	1500	100	300
UL0500+	27	224	300	122	128	123	266	500	30	1500	200	400
UL1000+	63	260	359	176	174	149	391	1000	45	1500	400	450
UL2000+	157	368	477	233	227	195	493	2000	70	2000	800	600

[www.eclipse-magnetics.co.uk](http://www.eclipse-magnetics.co.uk)